

Models 803 and 818

Non-code Air/Gas Relief Valves



**KUNKLE**

**Feature**

- **Every valve is 100% tested/inspected** for pressure setting and leakage.
- **Factory sealed** to prevent tampering or disassembly.

**Applications**

- Small to medium size, single and multi-stage, air compressors, intercoolers, after coolers, instrument/control air lines and systems.
- Air tanks/receivers and pressurized equipment.

**Pressure and Temperature Limits**

**Model 803:**

1000 to 6000 psig  
-20° to 185°F

**Model 818:**

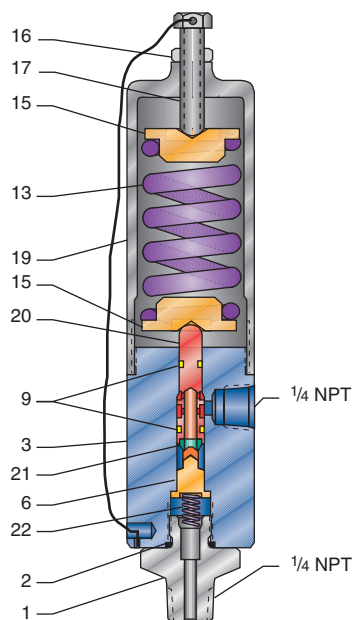
120 and 150 psig  
-20° to 300°F



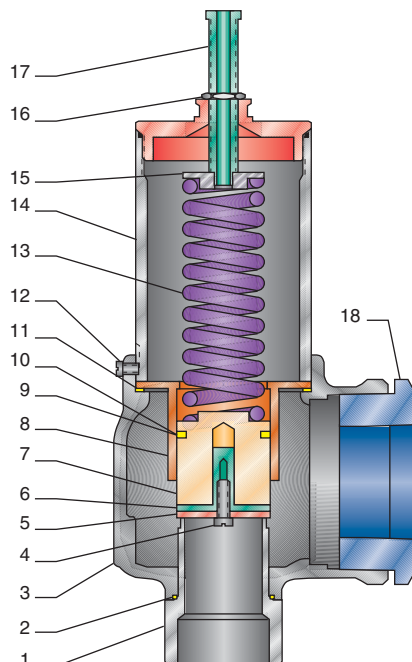
Model 803

## Models 803 and 818

### Specifications



**Model 803**



**Model 818**

### Capacity for Model 803 (SCFM at 60°F, 10% overpressure)

1000 psi - 45 SCFM
1200 psi - 50 SCFM
1500 psi - 55 SCFM
1800 psi - 60 SCFM
2000 psi - 63 SCFM
2500 psi - 70 SCFM
3000 psi - 77 SCFM
3500 psi - 83 SCFM
4000 psi - 90 SCFM
4500 psi - 95 SCFM
5000 psi - 100 SCFM
5500 psi - 104 SCFM
6000 psi - 109 SCFM

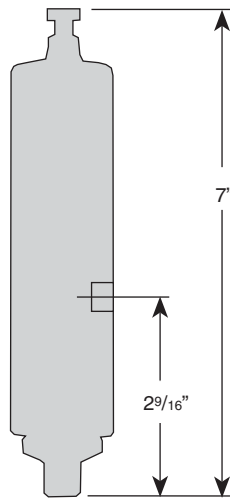
Consult factory for Model 818.

### Parts and Materials

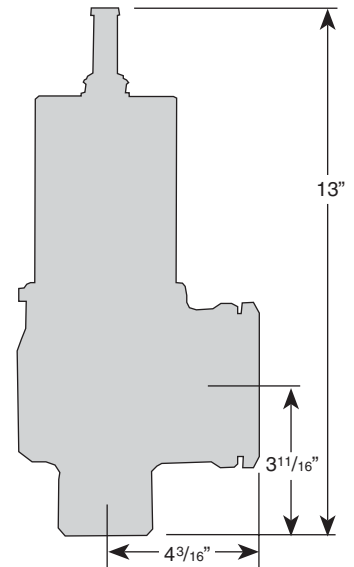
No.	Part Name	803	818
1	Nozzle	SS A582-303	SS A582-303
2	O-ring	Teflon®	Viton®
3	Body	Aluminum B211	SS, SA216 Gr. WCB
4	Disc Screw	N/A	SS/Nylon Lock, Brass B16
5	Disc Insert	N/A	Teflon®
6	Bottom Disc	SS A582-303	Brass, B16
7	Disc Holder	N/A	Brass, B16
8	Guide	N/A	SS, A582-416
9	Seal Ring	Teflon®	Plastic
10	O-ring - Seal Ring	N/A	Viton®
11	Body Gasket	N/A	Teflon®
12	Body Set Screw	N/A	Steel, A108
13	Top Spring	Steel A231, Aluminum Coated	SS, 17-7 PH
14	Bonnet	N/A	Steel, SA106 and/or A108
15	Step Spring	Aluminum B211	Brass, B16
16	Jam Nut	SS A582-303	Brass, B16
17	Compression Screw	SS A582-303	Brass, B16
18	Reducer	N/A	Steel, A108
19	Cap	Aluminum B211	N/A
20	Top Disc	SS A582-303	N/A
21	Seat	Kynar®	N/A
22	Bottom Spring	SS A313-302	N/A

Models 803 and 818

Specifications



Model 803



Model 818

Model Number/Order Guide

Model Number Position	1	2	3	4	5	6	7	8	9	10	11	12	13	14	15
Example	0	8	0	3	-	A	0	1	-	N	C	0	0	5	0
<b>Model</b>	0803			0818											
<b>Inlet Size</b>	A - 1/4-inch (Model 803)				H - 2-inch (Model 818)										
<b>Variation (01 through 99)</b>	01 - Catalog standard														
<b>Design Revision</b>	Indicates non-interchangeable revision. Dash (-) if original design.														
<b>Spring Material</b>	C - Steel (Model 803)										M - 631 SS (Model 818)				
<b>Set Pressure</b>	803 - 1000 to 6000 818 - 120 (0120) and 150 (0150)														

**Models 803 and 818**

**Facility Phone: 828-669-3700**



[www.kunklevalve.com](http://www.kunklevalve.com)

---

The data presented in this bulletin is for general information only. Manufacturer is not responsible for acceptability of these products in relation to system requirements. Patents and Patents Pending in U.S. and foreign countries. All rights reserved. Printed in U.S.A. Tyco reserves the right to change product design and specifications without notice. © Copyright 2002.